

Technical Data Sheet

Description: LED Exit Light

Product Code: EXEXL

Features:

- High Output and energy saving LEDs with bright & efficient light distribution
- Long Life Lithium Iron Phosphate battery
- Battery - Voltage 3.2V / Capacity 1500mAh
- Easy mount to Wall or Ceiling
- Large terminal blocks for easy installation
- All Directional Insert decal variations included
- Power Consumption - Mains 5W / Standby 3W
- Suits 24m viewing distance
- Long Life 50,000 LED Hours
- 3 hours runtime in emergency mode
- Automatic Self-Test Function to prolong Battery Life
- Designed and manufactured to AS/NZS 2293.3
- Base interchangeable with Surface Mount Blade Exit Light (EXEXBLSM)
- 3 years warranty (including battery)



Specifications

Power and Lamps		
Input Voltage (V) Frequency (Hz)		240V (50Hz)
Power Consumption (Mains / Emergency)		5W / 3W
Correlated Colour Temperature CCT (k)		6,000
Colour Rendering Index (CRI)		>80
Luminance (LM)		98
Lamp(s)		50,000 LED Hours
Operating Mode		Maintained

Battery	
Type	Lithium Iron Phosphate LiFePO ₄
Battery Voltage (V) / Capacity (mAh)	3.2V / 1500mAh
Battery Charging Time	20Hrs
Standby duration	3Hrs
Automatic Self-Test	Yes

Physical	
IP Rating	IP20
Construction (body / diffuser)	ABS, ABS
Packaging Dimensions (L x H x W)	368mm x 220mm x 85mm
Packaging Weight (single / pack)	1.4kg / 15kg (10 pcs)
Viewing Distance	24m
Installation	Wall or Ceiling mount
Operating Temperature	1°C to 40°C
Maximum Ambient Temperature	45°C

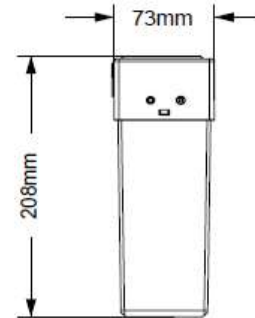
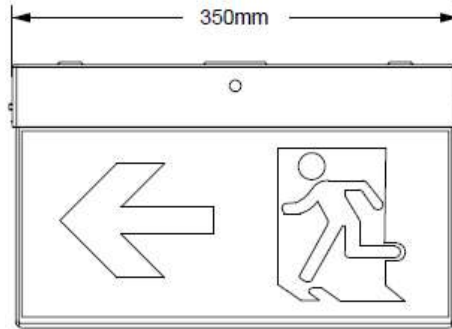


Firex Distribution Australia Pty Ltd

P: 1300 246 247

E: info@firex.com.au

W: www.firex.com.au



Conformance	
C0	D12.5
C90	D8
Designed & Manufactured to	AS/NZS 2293.3

Spacing Table	Mounting Height (m)									
	NATA Classification	2.1	2.4	2.7	3.0	3.3	3.6	4.0	4.5	5.0
D8 (m)	6.4	6.5	6.5	6.4	6.3	6.1	5.7	5.0	3.2	
D12.5 (m)	7.7	7.9	8.0	8.1	8.1	8.1	7.9	7.6	7.2	

Accessories	Product Code
Battery	EXITBATTERY
Decal Main	DECALM
Decal Right	DECALR
Decal Left	DECALL

Compatible parts
Base interchangeable with EXITE-LTX Surface Mount Blade Exit Light (EXEXBLSM)

Warranty

Products have 3 years (from date of purchase) replacement warranty including battery. Products must be connected to permanent live power otherwise warranty will be void. Must be installed by a licensed electrician.

This warranty does not cover loss or damage by misuse, incorrect installation, incorrect voltage or non-authorized electrical connections, or adverse external conditions (such as power surges and dips, exposure to heat, corrosion etc).

Products that have been altered in any way or used other than in accordance with instruction are not covered by this warranty.

End Technical Data Sheet

Disclaimer: Product specifications, images and content are subject to change without prior notice and Firex Distribution Australia will not be held liable in any way for any errors or omissions.

© 2020 Firex Distribution Australia Pty Ltd. All Rights Reserved.